



## Product description

Access video panel with 17.5 cm touchscreen for the Access Professional system, made of high-grade plastic. The panel is a system product with a low-profile surface mount housing for wall and table-top mounting. It provides ergonomically designed intuitive user prompting with gesture control.

With the functions calling, speech, vision, door release, light, remote switching and call silencing.

Performance features:

- Individual crafted design concept offering a wide choice of varied features and finishes
- Display offers graphic scope for individual operation
- 17.8 cm (7") touchscreen, resolution 800 x 480 Pixel
- Brilliant image reproduction
- Excellent audio quality (dual loudspeaker technology)
- Input for storey call
- Output freely programmable
- Additional inputs and outputs with Access input/output accessory AZIO 870-...
- Call differentiation between door calls, storey calls, and internal calls
- Switching functions
- Video memory function
- Can be used with table-top accessory AZTVP 870-... as a table-top device
- Update capability using the Access server

The AVP 870-... can only be used in conjunction with Server Release V.2.1.0 and higher.

On a change of release, additional costs could be incurred under certain circumstances.

## Specifications

Operating voltage:	PoE in accordance with 802.3af
Ambient temperature:	+5 °C to +40 °C
Dimensions (mm) W x H x D:	202 x 202 x 30

## Article information

Article designation	Article description	Colour/Material	KG SAP article no.
AVP 870-0 A/S	Access video panel	Aluminium/black	F 200048784-00
AVP 870-0 A/W	Access video panel	Aluminium/white	F 200048781-00
AVP 870-0 E/S	Access video panel	Stainless steel/black	F 200048780-00
AVP 870-0 E/W	Access video panel	Stainless steel/white	F 200048785-00
AVP 870-0 S	Access video panel	Black	F 200048779-00
AVP 870-0 SH/S	Access video panel	High gloss black/black	F 200048783-00

Access video panel  
AVP 870-0

Page 2



**Article designation**

AVP 870-0 SH/W

AVP 870-0 W

AVP 870-0 WH/S

AVP 870-0 WH/W

**Article description**

Access video panel

Access video panel

Access video panel

Access video panel

**Colour/Material**

High gloss black/white

White

High gloss white/black

High gloss white/white

**KG SAP article no.**

F 200048786-00

F 200048778-00

F 200048787-00

F 200048782-00



Access video panel  
AVP 870-0

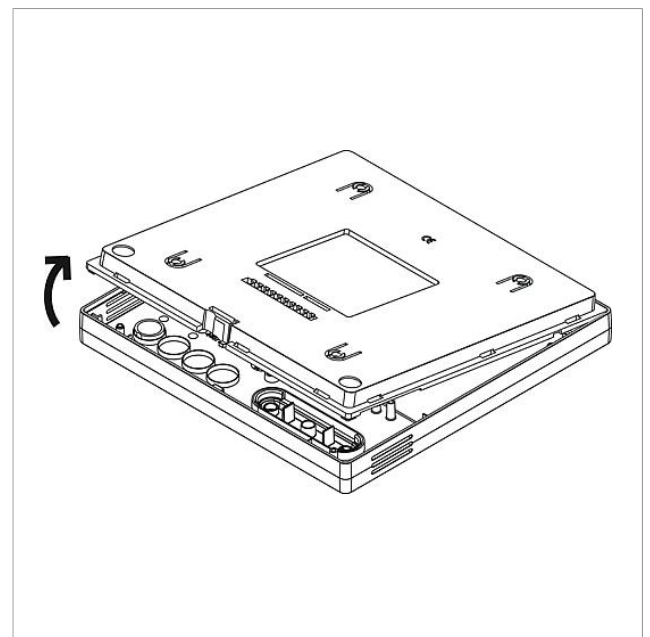
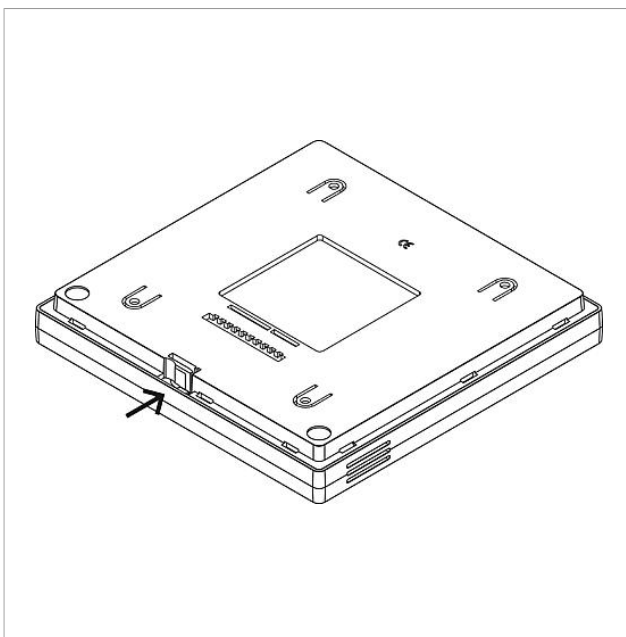
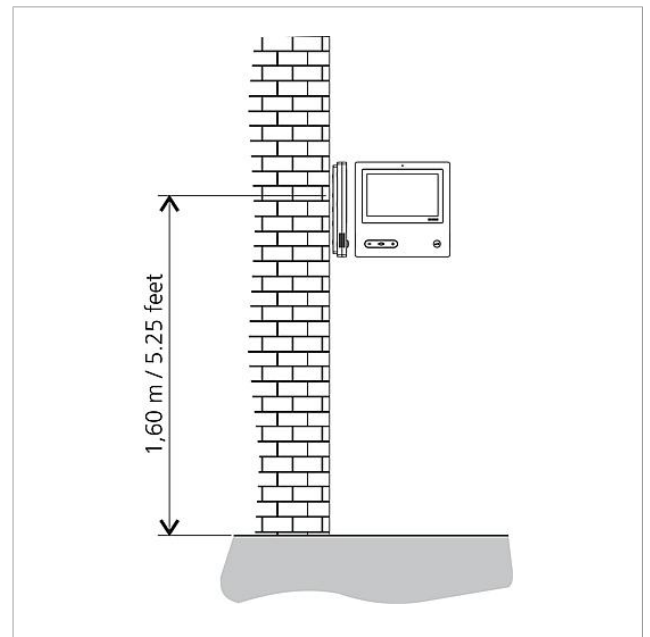
Page 3

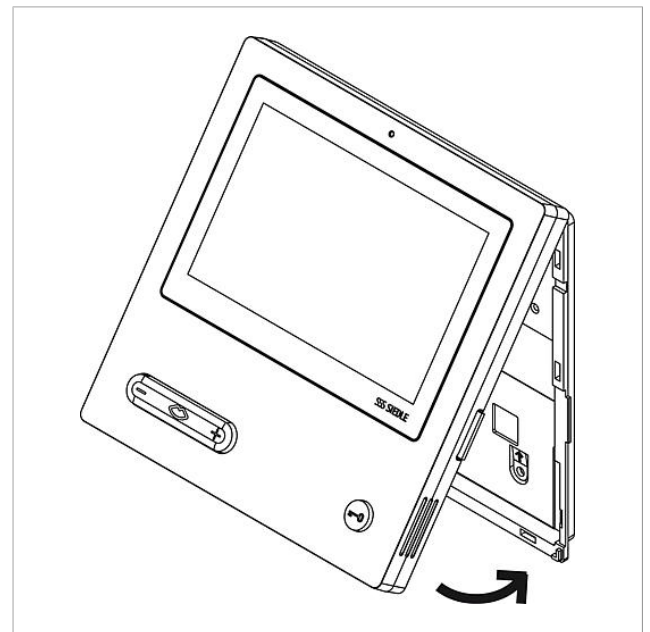
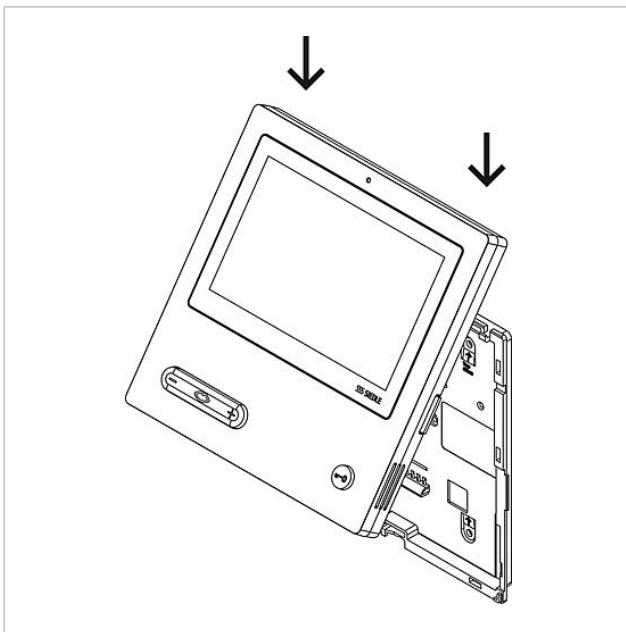
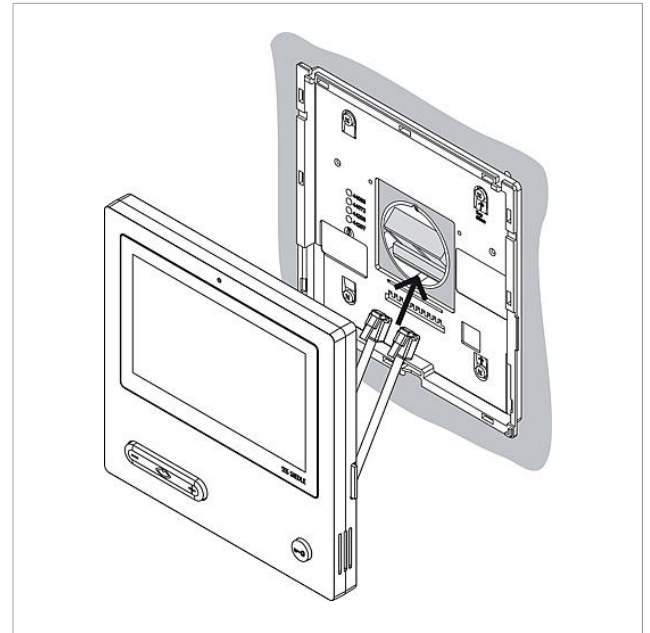
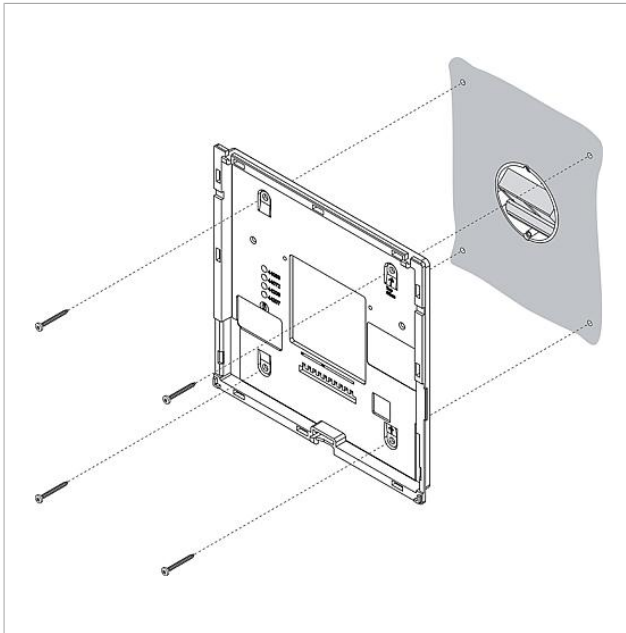
---

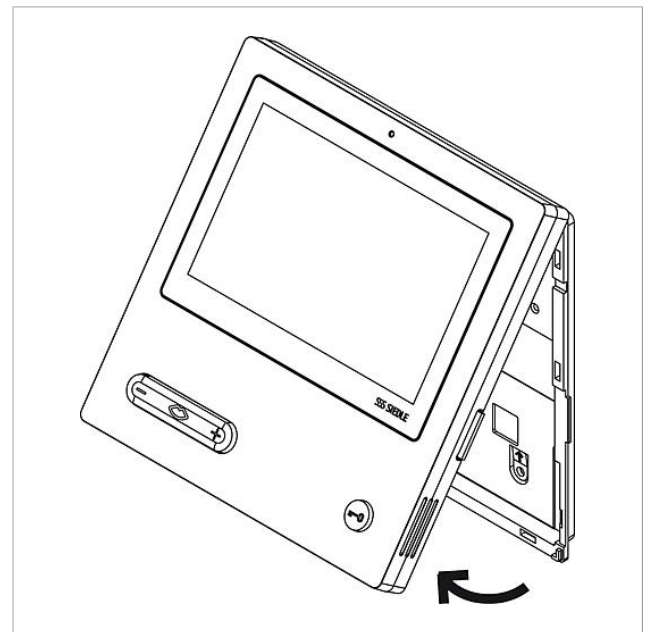
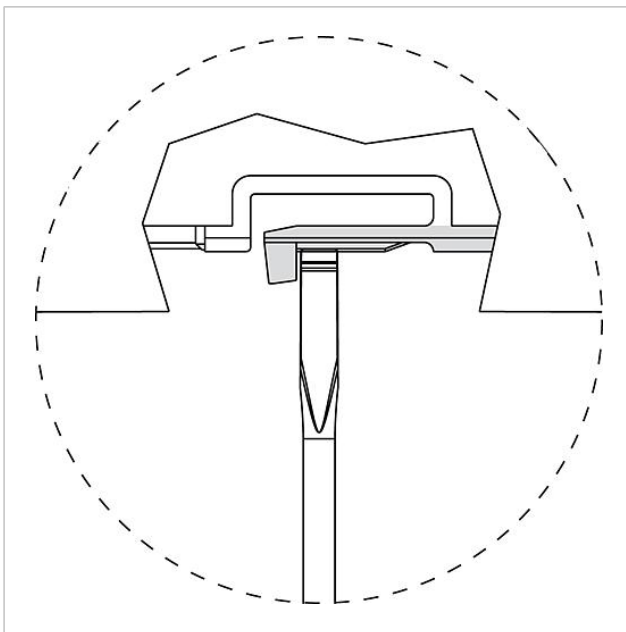
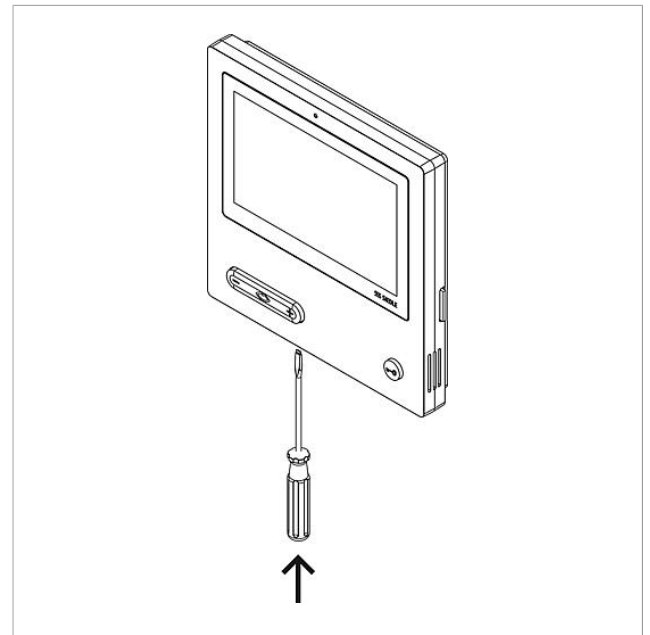
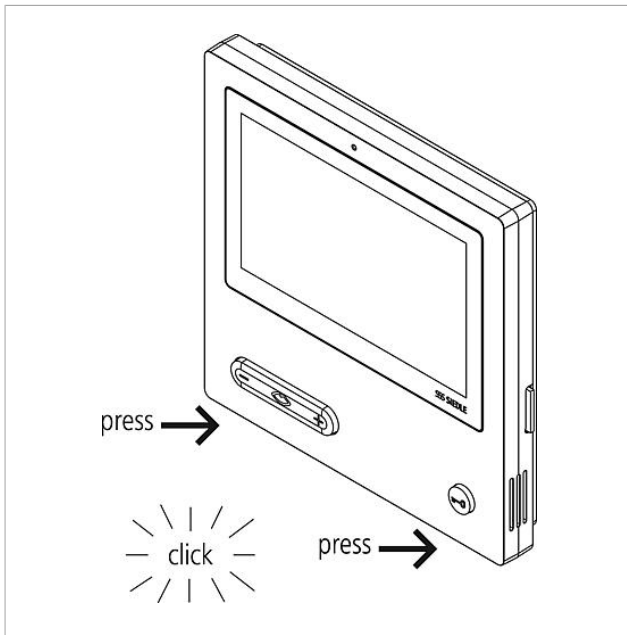
## Accessories

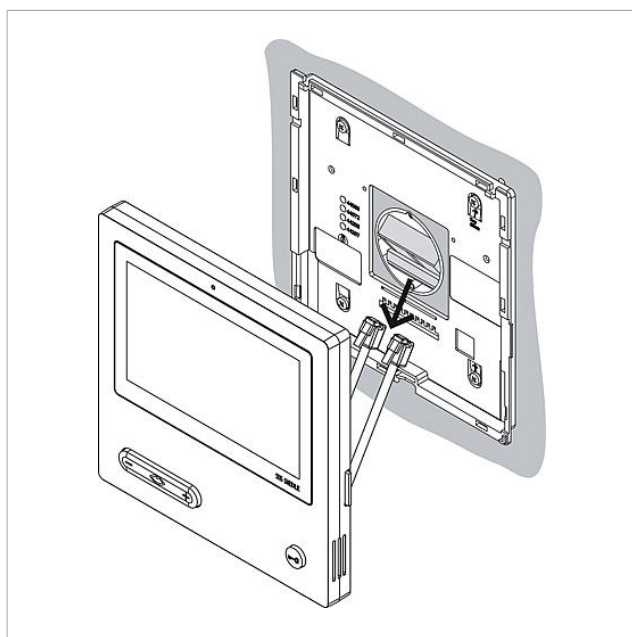
---

Article designation	Article description	Colour/Material	KGSAP article no.
AZTVP 870-0 E	Access table-top accessory	Brushed stainless steel	F 200048794-00
AZTVP 870-0 S	Access table-top accessory	Black	F 200048795-00
AZTVP 870-0 W	Access table-top accessory	White	F 200048796-00











AVP 870-0 Access video panel	Product information	1,6 MB	Download
AVP 870-0 Access video panel	Manual	6 MB	Download
Access Professional 5.0 (DE)	Commissioning instruction	2,1 MB	Download
Access Professional 5.1 (DE)	Commissioning instruction	2,2 MB	Download
Access Professional 4.2 (DE)	Commissioning instruction	17,3 MB	Download
	Planning and Installation	1,3 MB	Download
	System manual	6,1 MB	Download
	Manual	6,1 MB	Download
	Manual	4,8 MB	Download
AVP 870-0, AZIO 870-0 Access Video Panel	Declaration of Conformity	746 kB	Download